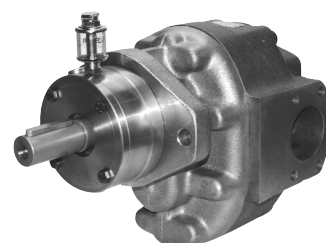


KRACHT



DuroTec® Gear Pumps

DT 5

Description

DuroTec® Gear Pumps DT 5 for abrasive and poor lubricating fluids.

In the year 1990, KRACHT initiated the development of Gear Pumps for abrasive and poor lubricating fluids. Since then, this development has been subsequently improved.

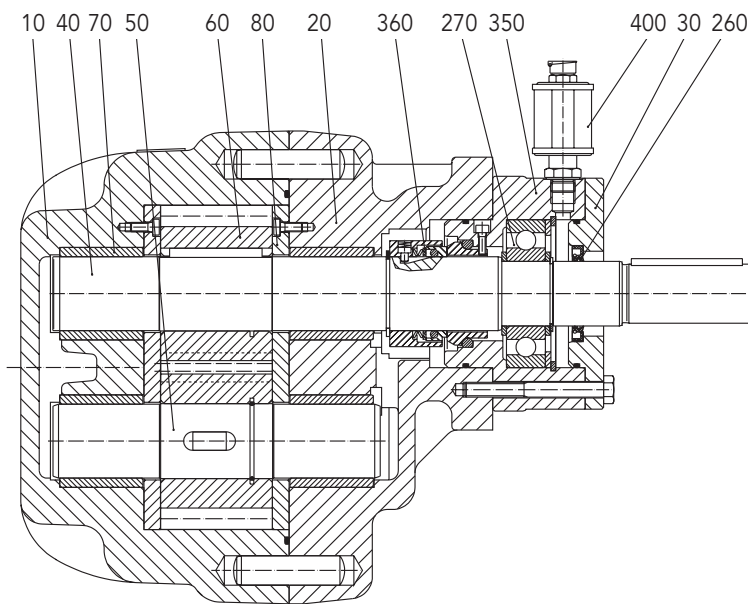
The limit of applications of Gear Pumps has been reached when the transfer medium does not have the required lubricity for a proper function of the pump and a high operating pressure is needed at the same time. Such problematic fluids are for example silicates (sodium silicate), isocyanates and

polyols with hard fillers as can be found in the PUR-technology. Under air or humidity influence, crystallisation of these fluids occurs and aggravates the lack of lubricity.

The gear (gear wheel and shafts) is surrounded by SIC sleeve bearing. The gear is high-rigid protected against wear, taken the requirements regarding material, heat treatment, surface geometry into consideration when using this coating technology.

Highest demands have been fulfilled by our own manufacturing quality and the involved coating specialists.

Construction



- 10 Housing
- 20 Flange cover
- 30 Centering disc
- 40 Shaft
- 50 Bolt
- 60 Gearing
- 70 Sleeve bearing
- 80 Sliding plate
- 260 Shaft seal
- 270 Roller bearing
- 350 Mounting mechanical seal
- 360 Mechanical seal
- 400 Quench tank

Depending on the medium to be transferred, operating pressures up to 100 bar are possible with driving speeds of about 1500 rpm. Solid body parts with a size < 50 µm and a hardness acc. to Vickers < 2500 will be accepted in the transfer medium.

The main field of application for the new DuroTec® Gear Pumps DT 5 are mainly multi-component-systems in the PUR-technology. Everywhere where standards Gear Pumps do not reach a satisfying lifetime, e.g. where polyols with hard fillers have to be handled, this Gear Pump offers a reliable alternative.

Materials

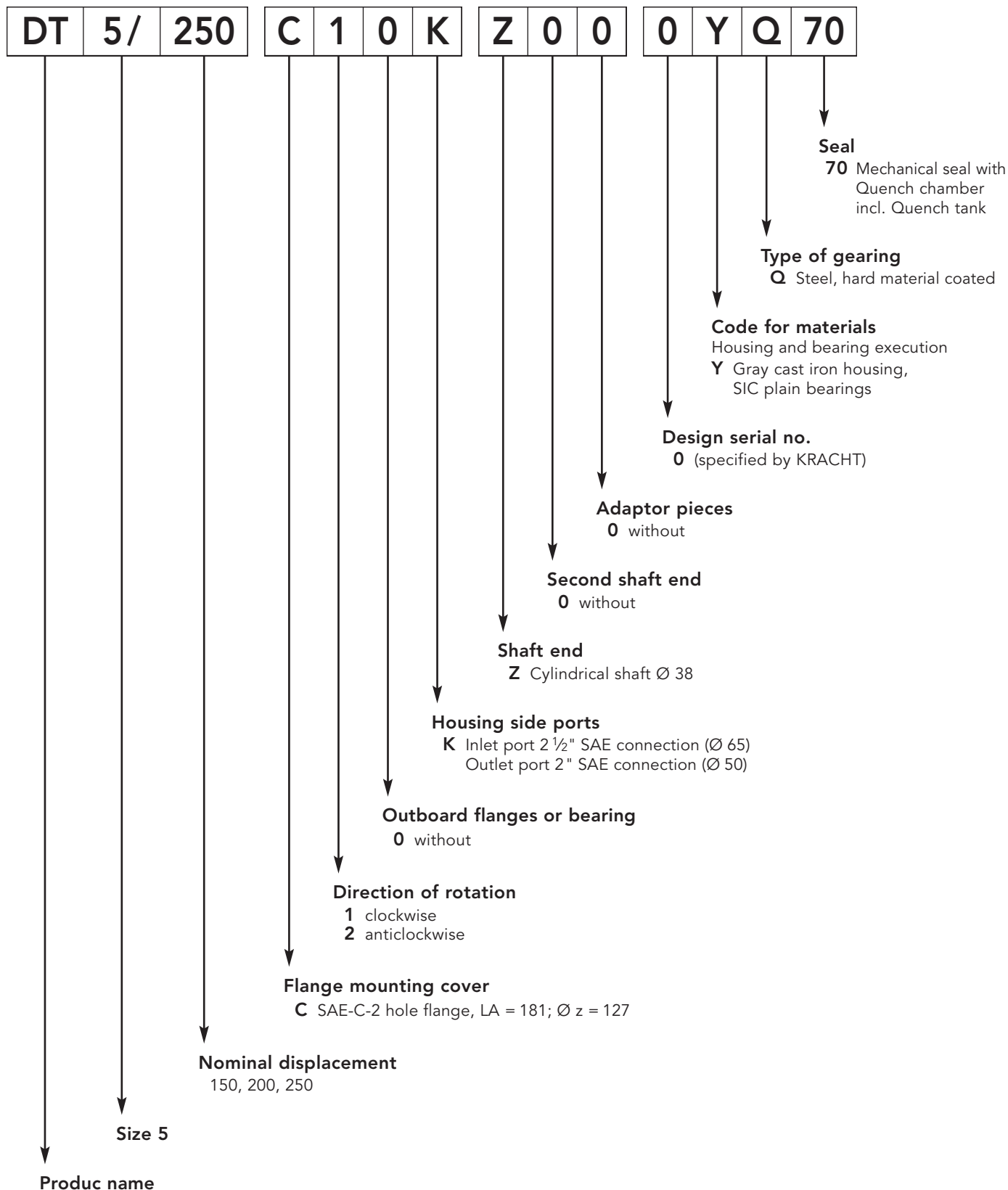
Housing	EN-GJL-300 (GG 30)
Flange cover	EN-GJL-300 (GG 30)
Gearing	Steel, hard material coated
Sliding plates	Steel, nitrated
Bearing	Sleeve bearing SIC
Shaft sealing	Mechanical seal with Quench chamber incl. Quench tank

Characteristics

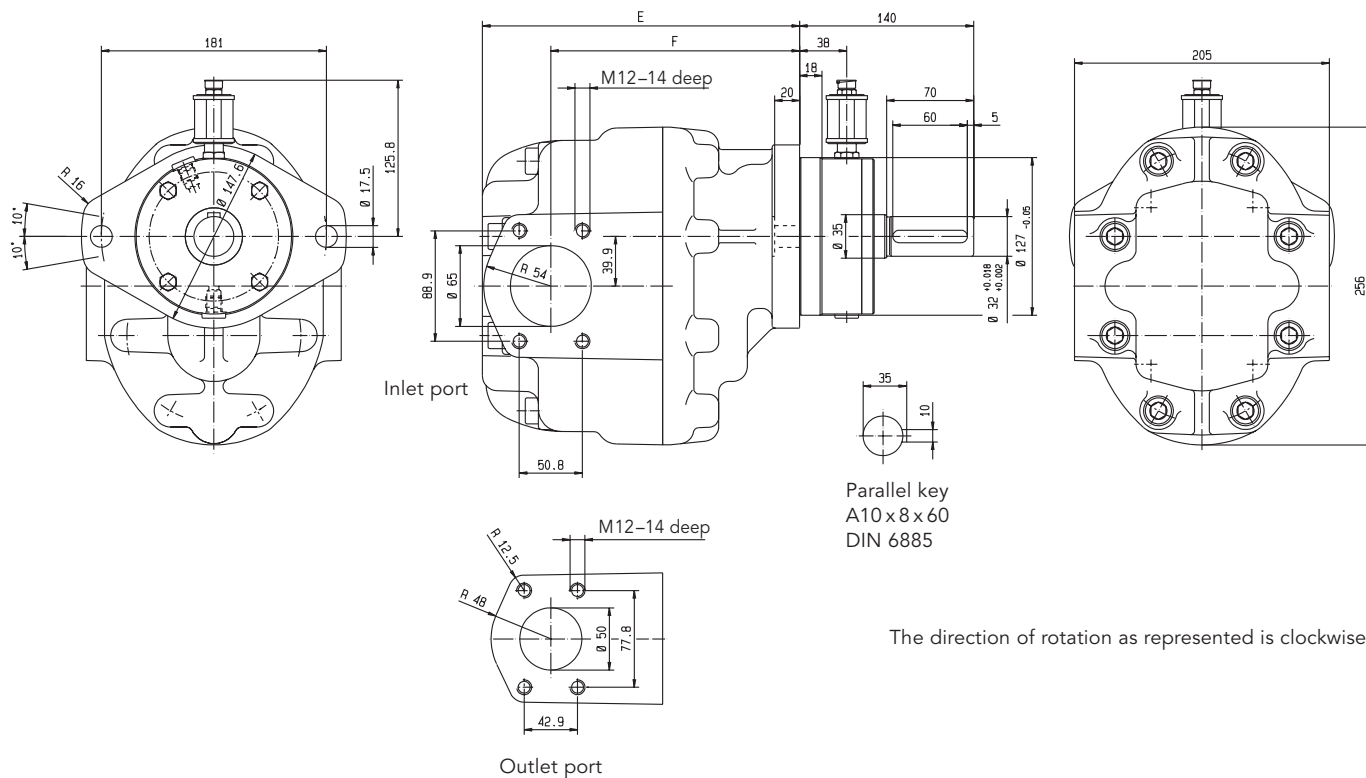
Geometrical displacement	V_g	150, 200, 250 cm ³ /r
Mounting position		horizontal
Fixing type		Flange (SAE-C-2-hole flange)
Inlet port		SAE 2½" flange
Outlet port		SAE 2" flange
Max. operating pressure		100 bar
Max. inlet pressure		20 bar
Viscosity	mm ² /s	13 up to 50 000 (higher viscosities on request)
Fluid temperature		max. 150 °C
Ambient temperature	$\vartheta_{u \min}$	= - 20 °C
	$\vartheta_{u \max}$	= 60 °C
Shaft end		Cylindrical shaft Ø 32 mm

Type Key

Ordering example



Dimensions



Nominal displacement	E	F	Weight in kg
150	230	175	49
200	243	188	53
250	255	200	57

Product Portfolio

Transfer Pumps

Transfer pumps for lubricating oil supply equipment, low pressure filling and feed systems, dosing and mixing systems.

Mobile Hydraulics

Single and multistage high pressure gear pumps, hydraulic motors and valves for construction machinery, vehicle-mounted machines.

Flow Measurement

Gear and turbine flow meters and electronics for volume and flow metering technology in hydraulics, processing and laquering technology.

Industrial Hydraulics / Test Bench Construction

Cetop directional control and proportional valves, hydraulic cylinders, pressure, quantity and stop valves for pipe and slab construction, hydraulic accessories for industrial hydraulics (mobile and stationary use).

Technology Test benches / Fluid Test benches.



DuroTec® Gear Pumps DT 5 / GB / 03.09

KRACHT